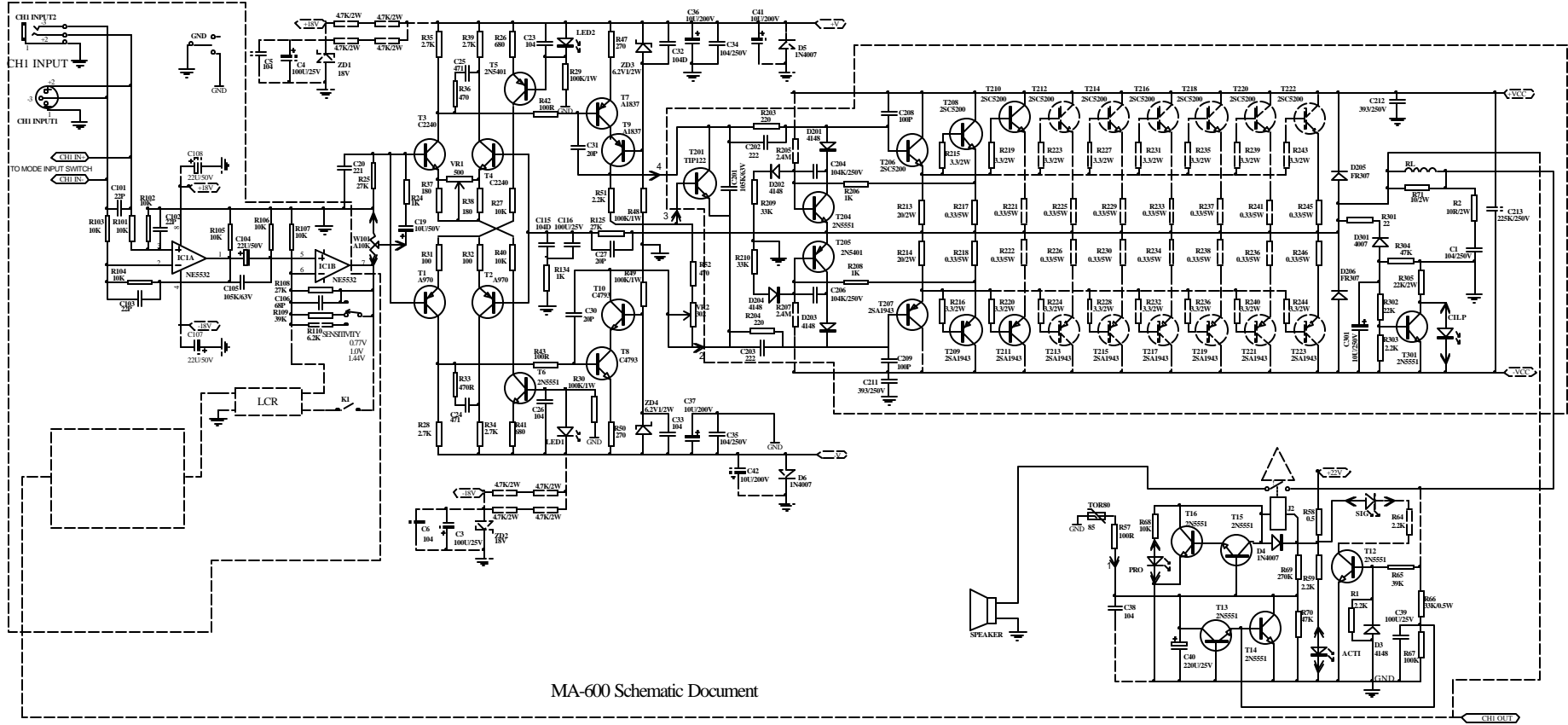
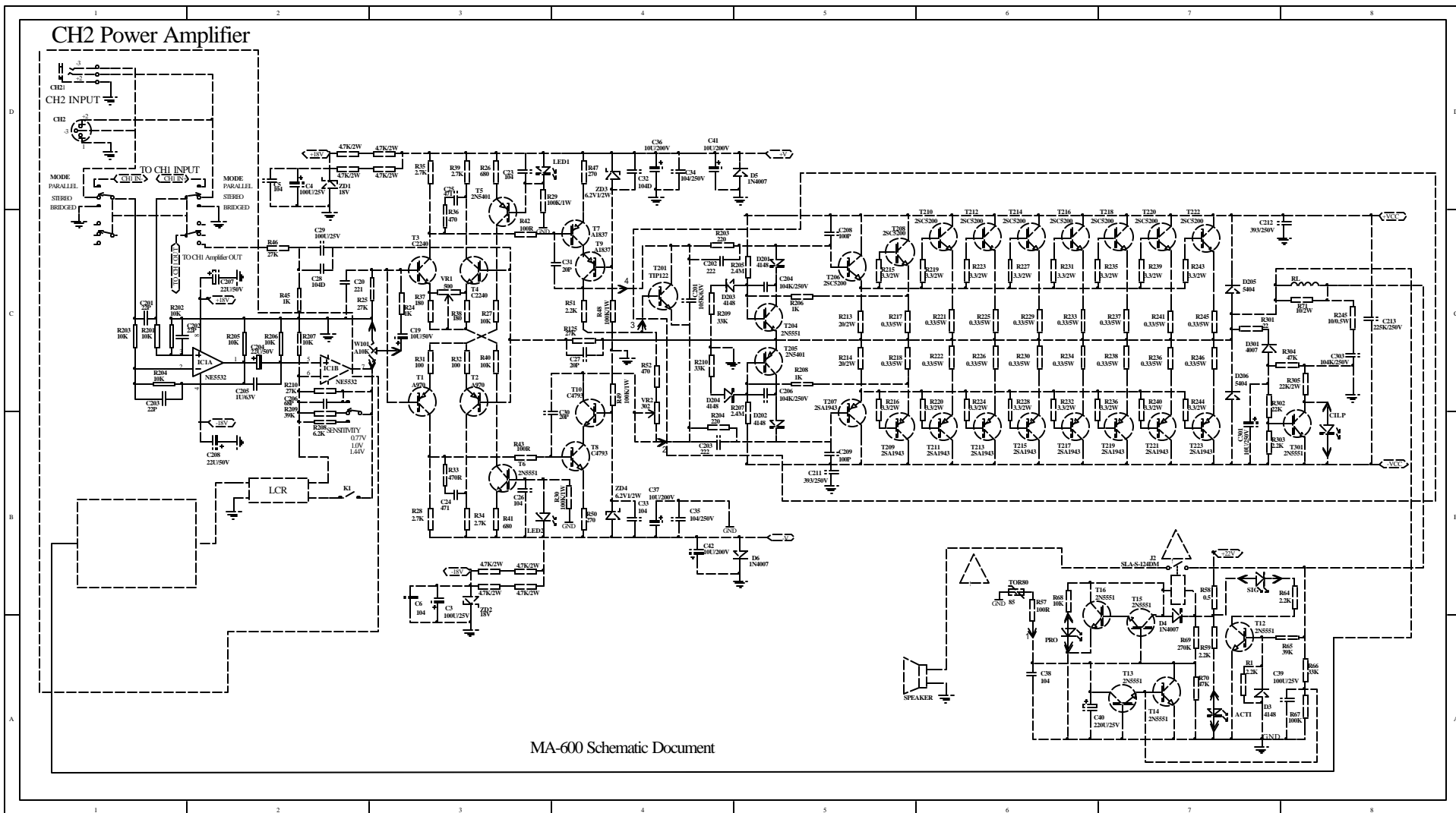


# CH1 Power Amplifier

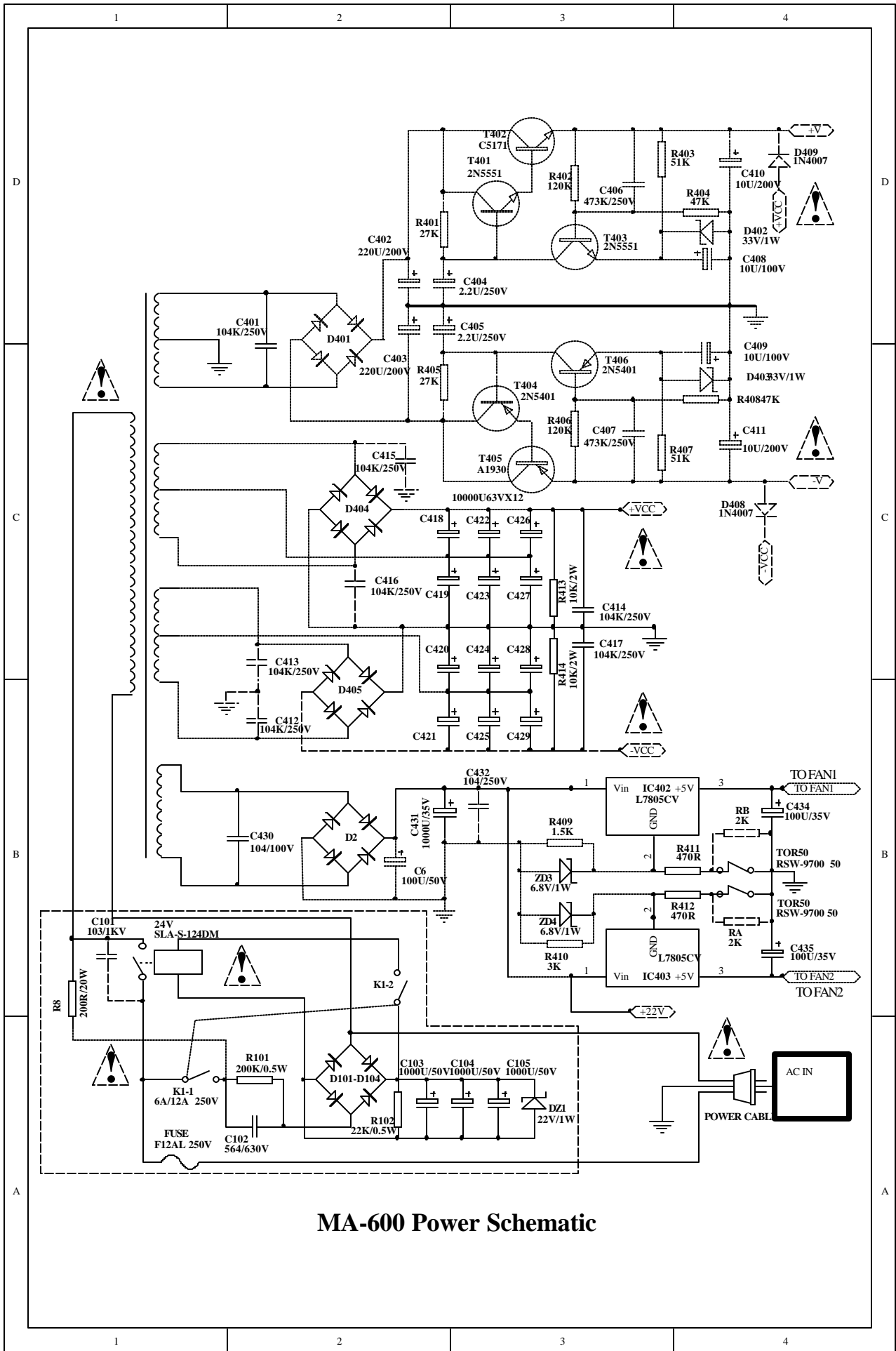


MA-600 Schematic Document

# CH2 Power Amplifier



MA-600 Schematic Document



**MA-600 Power Schematic**